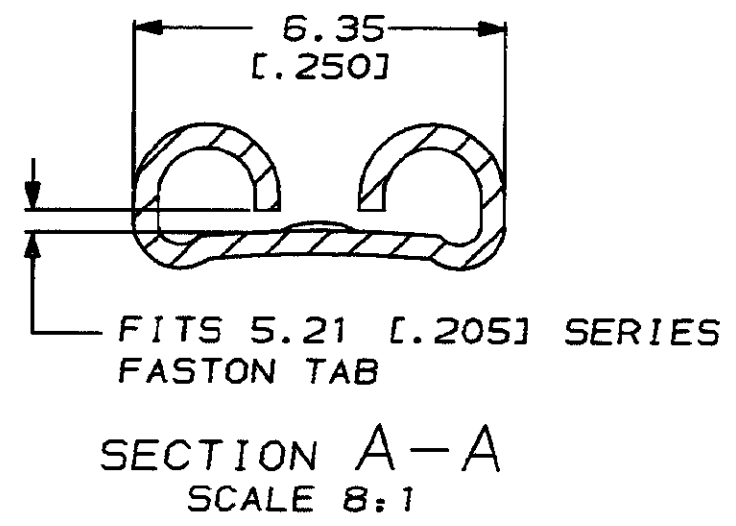
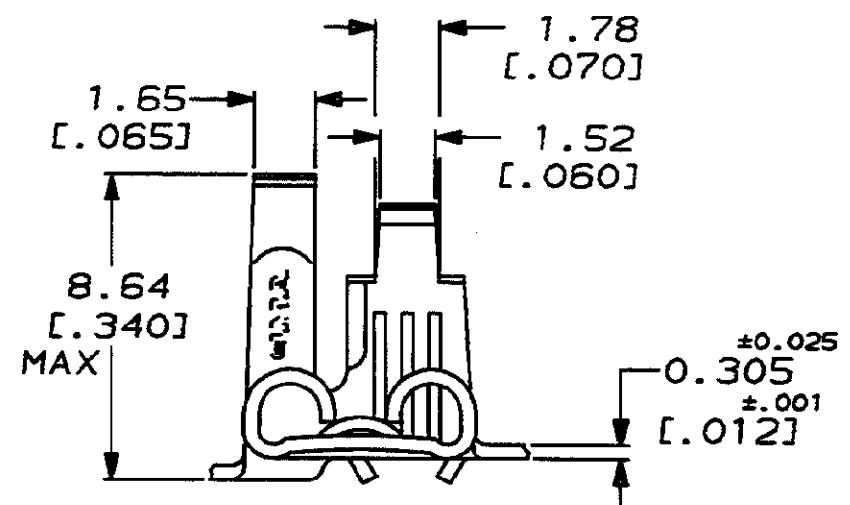
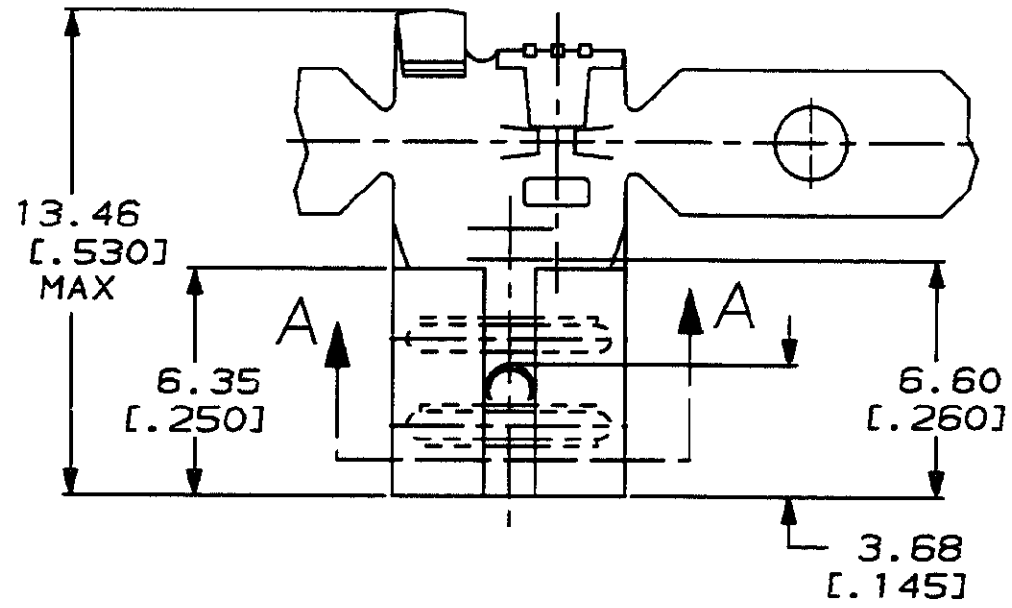


LOC	DIST			REVISIONS				
AF	50	P	F	ZONE	LTR	DESCRIPTION	DATE	APPD
					K	REVISED PER 0012-93	3/1/93	JR/CM



- 1 CONTINUOUS STRIP ON REELS
- 2 FEED IS 16.51 ±0.13 [.650] ±.005
- △ 3 TIN PLATE 0.002032 [.000080] MIN THK.

△ TIN	2.79-4.32 [.110-.170]	0.5-1.3mm <sup>2</sup> [20-16]	0.508 [.020]	42199-2
-				42199-1
FINISH	INSULATION RANGE	WIRE SIZE	MATING TAB THK ±0.025 ±[.001]	PART NO
DO NOT SCALE PRINT. UNLESS SPECIFIED DIMENSIONS IN mm [INCHES] TOLERANCES ON: 2 PLC DEC * - 3 PLC DEC ± 0.38 [.015] ANGLES ± -		DR 1/26/90 JR RUTH CHK 1/26/90 MS FENNER APPD 1/26/90 C MEYERS	<b>AMP</b> AMP INCORPORATED Harrisburg, Pa. 17105 NAME RECEPTACLE, FASTON, FLAG, 5.21 [.205] SERIES	
MATERIAL #4H BRASS		APPD 1/26/90 R KUZO PRODUCT SPEC -		
FINISH SEE TABLE		APPLICATION SPEC -	SIZE <b>B</b>	CAGE CODE 00779
		WEIGHT -	SCALE 5:1	DRAWING NO 42199
			SHEET 1 OF 1	

**METRIC**